

Specification

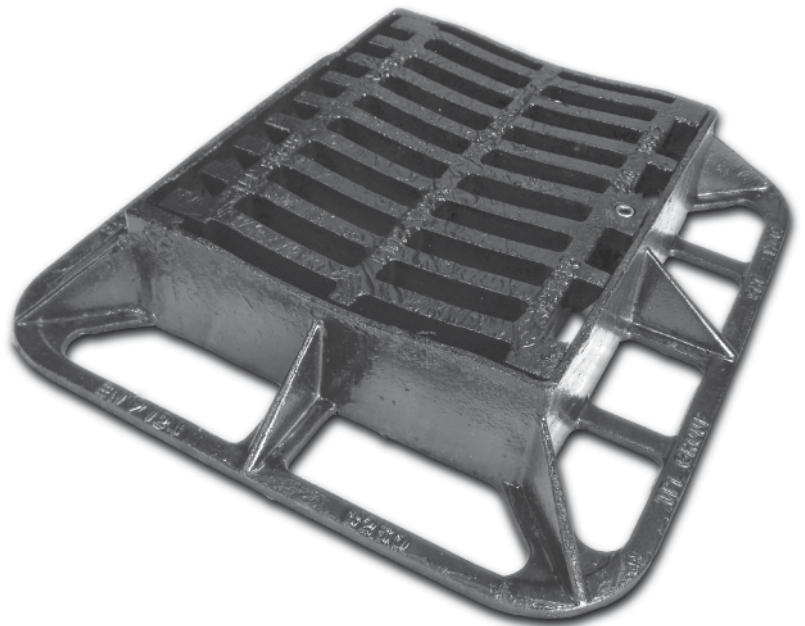
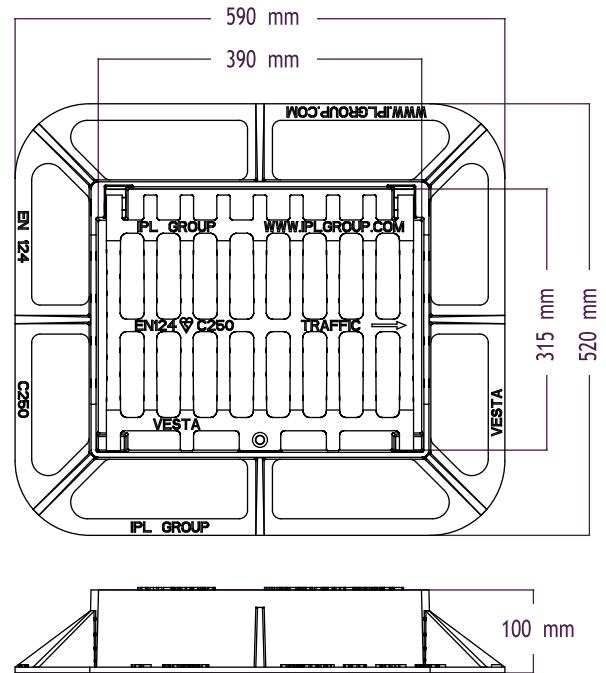
- ◆ Ductile Iron (Spheroidal Graphite)
- ◆ EN-GJS-500-7 (Material Standard)
- ◆ EN124 - Class C250 (Product Standard)
- ◆ Kitemark (BSI Certification)

Features

- ◆ Single Hinged Cover
- ◆ Non-Rock Action
- ◆ Concave Grating
- ◆ Locking Bolt
- ◆ Full Frame Flange
- ◆ Flush Kerbside Finish
- ◆ Recessed Side Hinge
- ◆ Black Bitumen Coated
- ◆ Customised Locking Option



EN124 Standard
Kitemark Certification



Product Code
C-VC250CG



ipl group

IPL group

Slane Road, Drogheda,
Co. Louth, Ireland.
Tel: +353 41 983 2591
Fax: +353 41 983 2599
Email: info@ipl.ie
Website: www.iplgroup.com

Technical Data

EN124 Class	Frame Opening (mm)	Frame Size (mm)	Frame Depth (mm)	Weight (kg)	Waterway Area
C250	390x315	590x520	75	24	725cm ²

Group 3: For gully tops installed in the area of kerbside channels of roads which when measured from the kerb edge, extends a maximum of 0.5m into the carriageway and a maximum of 0.2m into the footway.



Further information on ORBITAL access covers and gratings is available at www.iplgroup.com. Measurements and weights are approximate. The designs are the property of Innovative Products Ltd (IPL group) and may not be reproduced without express permission. Innovative Products reserve the right to amend specifications or to withdraw models without prior notice. © June 2011.