

# Fane bollard

fixed & removable installation options

041-9832591 | info@ipl.ie | www.iplgroup.com

*Classic design bollard suitable for both town and rural landscape, for new developments and upgrades of existing streetscapes.*

## features...

Strong slimline cast aluminium bollard with black polyester powder-coated finish as standard. This bollard can be specified either ground-fixed or removable with RS socket.

## options...

- Text slips (for town or county name)
- 3M diamond grade reflective tape
- 8mm galvanised heavy-duty short-link chain
- Customer colour requirements
- RS socket (for removable & locking option)



## THE INTELLIGENT FOUNDATION FOR POST INSTALLATION

Versatility & foresight:

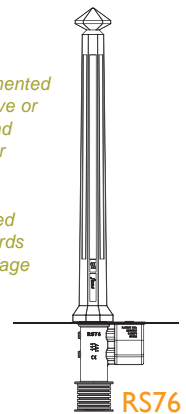
*Specifying the use of RS sockets anticipates the expected installation demands, maintenance needs and lifecycle of the post.*

www.retention-system.com

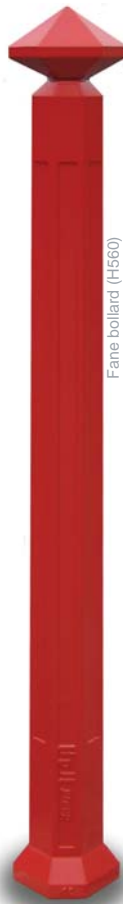


*Identity can be augmented with optional reflective or text slips for town and county information or corporate logo.*

*A combination of fixed and removable bollards may be used to manage access control.*



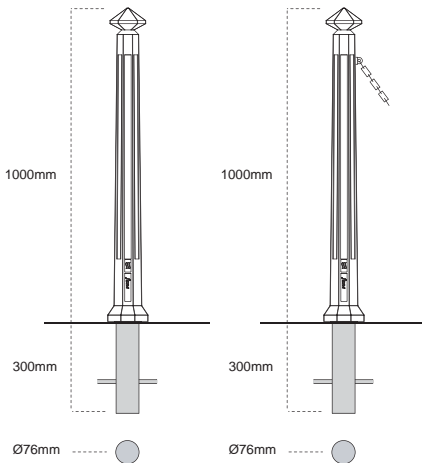
Fane bollard (H560)



Fane bollard (H560)



RS76x300



Fane bollard	H560	MADE IN IRELAND
Height (above ground):	1000mm	
Depth (below ground):	300mm	
Diameter (core post):	Ø76mm	
Total Weight:	6.5kg	
RS socket option:	RS76x300	

Further advice on the RETENTION SYSTEM and Rivers street furniture including specific installation requirements is available from IPL group. Measurements and weights are approximate. The designs are the property of Innovative Products Ltd (IPL group) and may not be reproduced without express permission. Innovative Products reserve the right to amend specifications or to withdraw models without prior notice. © September 2013.

