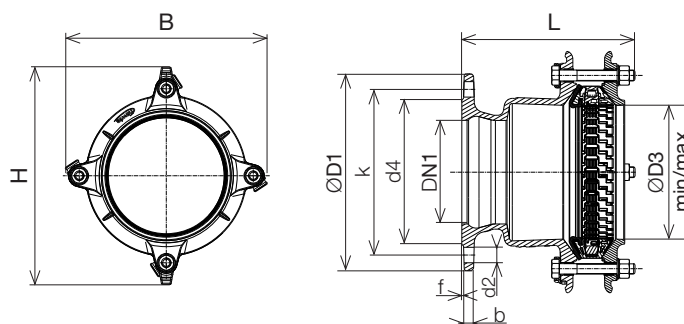


Restraint multi-range connection for all kinds of pipes

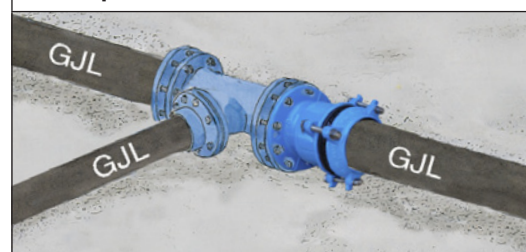
Product description

- Acc. to EN 14525
- Flanges according to EN 1092-2 PN10 (alternatively PN16)
- Body and lock ring of ductile iron EN-GJS-400 epoxy powder coated
- Flexible gasket of elastomer acc. to EN 681-1 (suitable for potable water)
- Flexible **Synoflex** ring of POM
- Tension locks corrosion resistant. Each support element holds a tension lock element.
- Bolts and nuts of stainless steel, coated against seizing
- Bolt head locking devices of stainless steel, with protective cap of elastomer
- Bolts reversible
- Spacer bushes of plastic
- Angle compensation max. 8° (+/- 4° each socket)
- For restraint connections with PE pipes a stainless steel support liner is required (e.g. No. 6035 or 6036).

No. 7994



Example of use



Certificates



Flange DN1	Socket DN	PN	Flange					Bolts (Flange)				B	H	Pipe ØD3 min / max	L	Bolts	Weight kg
			ØD1	b	k	d4	f	Qty.	Thread	d2							
50	50	10	165	14	125	98	4	4	M 16	19	141	170	56 - 71	203	3xM12-80	5,1	
		16															
65	65	10	185	14	145	118	4	4	M 16	19	156	187	71 - 88	203	3xM12-80	6,1	
		16															
80	65	10	198	14	160	133	4	8	M 16	19	156	187	71 - 88	203	3xM12-80	6,3	
		16															
80	80	10	198	14	160	133	4	8	M 16	19	171	204	85 - 105	193	3xM12-80	6,7	
		16															
80	100	10	198	14	160	133	4	8	M 16	19	226	260	104 - 132	263	3xM16-100	10,0	
		16															
100	80	10	220	14	180	153	4	8	M 16	19	171	204	85 - 105	188	3xM12-80	7,3	
		16															
100	100	10	220	14	180	153	4	8	M 16	19	226	260	104 - 132	228	3xM16-100	10,3	
		16															
100	125	10	220	14	180	153	4	8	M 16	19	250	290	131 - 160	278	3xM16-110	12,5	
		16															
125	125	10	250	14	210	183	4	8	M 16	19	250	290	131 - 160	248	3xM16-110	12,9	
		16															
150	125	10	285	14	240	209	4	8	M 20	23	250	290	131 - 160	245	3xM16-110	13,8	
		16															
150	150	10	285	14	240	209	4	8	M 20	23	315	350	155 - 192	258	4xM16-110	16,5	
		16															
200	200	10	340	15	295	264	4	8	M 20	23	326	405	198 - 230	277	6xM16-120	25,4	
		16															
200	225	10	340	15	295	264	4	8	M 20	23	361	445	230 - 260	322	6xM20-130	32,8	
		16															
250	250	10	400	16	350	319	4	12	M 20	23	408	499	265 - 310	335	6xM20-130	42,7	
		16															
300	300	10	455	18	400	367	4	12	M 20	23	510	545	313 - 356	353	8xM20-130	59,1	
		16															
*350	350	10	520	20	460	427	4	16	M 20	23	550	550	352 - 396	358	12xM20-130	71,0	
*400	400	10	580	21	515	477	4	16	M 24	28	596	596	398 - 442	373	12xM20-130	83,0	

* Certificates: ÖVGW, kiwa in preparation

SYNOFLEX connector

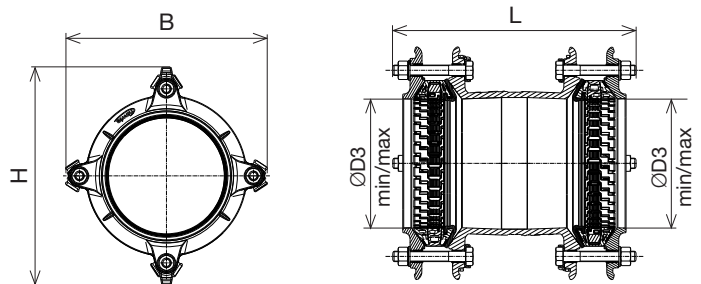
Restraint multi-range connection for all kinds of pipes

Product description

- Acc. to EN 14525
- Body and lock ring of ductile iron EN-GJS-400 epoxy powder coated
- Flexible gasket of elastomer acc. to EN 681-1 (suitable for potable water)
- Flexible **Synoflex** ring of POM
- Tension locks corrosion resistant. Each support element holds a tension lock element.
- Bolts and nuts of stainless steel, coated against seizing
- Bolt head locking devices of stainless steel A4, with protective cap of elastomer
- Bolts reversible 180°
- Spacer bushes of plastic
- Angle compensation max. 8° (+/- 4° each socket)
- For restraint connections with PE pipes a stainless steel support liner is required (e.g. No. 6035 or 6036).



No. 7974



Example of use



Certificates



Socket1 DN	Socket2 DN	PN	Socket1				Socket2				L	Weight kg
			B	H	Pipe ØD3 min / max	Bolts	B	H	Pipe ØD3 min / max	Bolts		
*40	40	16	130	157	46 - 58	3xM12-80	130	157	46 - 58	3xM12-80	243	3,9
50	50		141	170	56 - 71	3xM12-80	141	170	56 - 71	3xM12-80	253	5,0
65	65		156	187	71 - 88	3xM12-80	156	187	71 - 88	3xM12-80	264	5,6
80	65		171	204	85 - 105	3xM12-80	156	187	71 - 88	3xM12-80	274	6,2
80	80		171	204	85 - 105	3xM12-80	171	204	85 - 105	3xM12-80	270	6,5
100	80		226	260	104 - 132	3xM16-100	171	204	85 - 105	3xM12-80	312	9,5
100	100		226	260	104 - 132	3xM16-100	226	260	104 - 132	3xM16-100	332	11,7
125	100		250	290	131 - 160	3xM16-110	226	260	104 - 132	3xM16-100	355	13,7
125	125		250	290	131 - 160	3xM16-110	250	290	131 - 160	3xM16-110	357	14,5
150	100		315	350	155 - 192	4xM16-110	226	260	104 - 132	3xM16-100	361	16,2
150	125		315	350	155 - 192	4xM16-110	250	290	131 - 160	3xM16-110	375	17,4
150	150		315	350	155 - 192	4xM16-110	315	350	155 - 192	4xM16-110	367	18,7
200	200		326	405	198 - 230	6xM16-120	326	405	198 - 230	6xM16-120	406	31,1
225	200		361	445	230 - 260	6xM20-130	326	405	198 - 230	6xM16-120	450	38,8
225	225		361	445	230 - 260	6xM20-130	361	445	230 - 260	6xM20-130	429	41,8
250	200		408	499	265 - 310	6xM20-130	326	405	198 - 230	6xM16-120	468	45,6
250	250	408	499	265 - 310	6xM20-130	408	499	265 - 310	6xM20-130	441	51,0	
300	300	510	545	313 - 356	8xM20-130	510	545	313 - 356	8xM20-130	460	68,0	
*350	350	10	550	550	352 - 396	12xM20-130	550	550	352 - 396	12xM20-130	499	86,0
*400	400	10	596	596	398 - 442	12xM20-130	596	596	398 - 442	12xM20-130	519	100,0

* Certificates: ÖVGW, kiwa in preparation