

Poly-top and tube

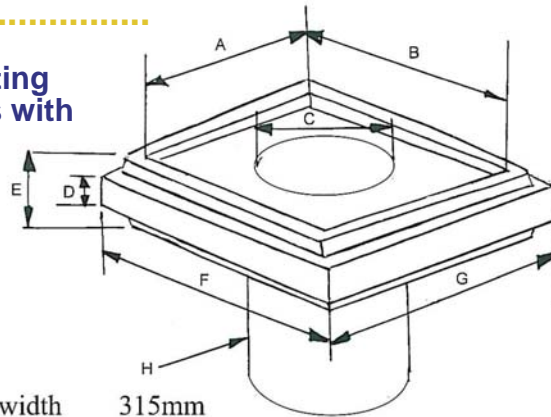


easy
to install

FEATURES

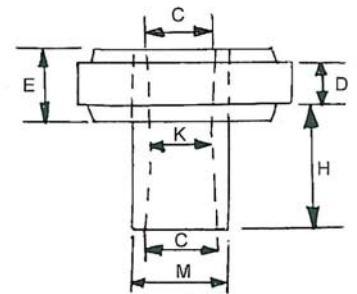
The POLY-TOP provides a means of supporting a wide range of sluice valve or similar boxes with the following benefits:

- ▶ Light weight compact unit
- ▶ Life expectancy at least DOUBLE concrete
- ▶ Flexibility in installation twin wall guard tube available in 600mm standard length - or upto 6m long
- ▶ Height adjustment via long neck



Tube dimensions
Bore - 225mm
O.D. - 270mm
Length - 585mm

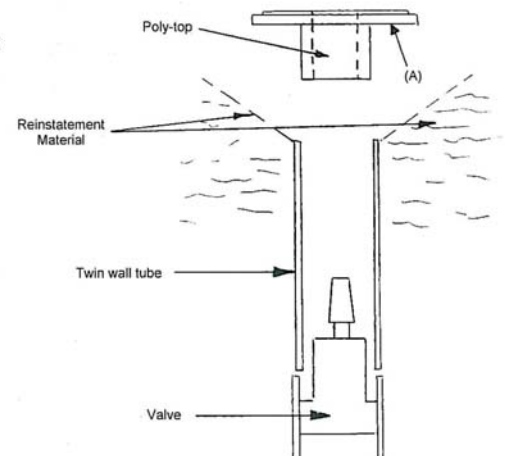
- a). Recess width 315mm
- b). Recess length 345mm
- c). Max bore 170mm
- d). Mainslab 25mm
- e). Max thickness 50mm
- f). Max length 385mm
- g). Max width 345mm
- h). Neck length 170mm
- k). Min bore 155mm
- m). Max neck O.D. 224mm



Poly-top and Tube Installation

The twin wall tube is positioned just above the valve bonnet and the area is back filled so that the material is left running down at an angle to the top of the tube.

The **Poly-top** unit is then installed into the tube and pushed home such that the back fill compacts under face (a). The finished installation will leave the **Poly-top** sitting above the tube leaving the weight on the top unit.



Poly-top, Poly-post
and marker plates
also available



to order:
tel: 041 983 2591
fax: 041 983 2599



Ductile-Iron EN124 (Kitemark certified)
surface covers also available

orbitalTM

ACCESS COVERS AND GRATINGS

www.iplgroup.com

ipl group