

# PILLARS & CABINETS

range of sheet steel column pillars and cabinets

041-9832591 | [info@ipl.ie](mailto:info@ipl.ie) | [www.ipgroup.com](http://www.ipgroup.com)

## STANDARD PILLARS:

Three standard sizes available (*other sizes on request*)

Manufactured in 3mm steel (*5mm on request*)

Hot-Dipped galvanised

Powder Coated Green as standard to BS 4800 14C39

Cabinet doors fitted with double Tri-Head locks

WBP 18mm plywood backboard fitted

(*fully removable when required through the door*)

Recessed 'hidden' vents & hinges

Earth Strap fitted to door and frame

All cabinet interiors built to customer specification

Door seals rated to IP65

Insulation Thermal Transmittance rating of 1.5W/m<sup>2</sup>K



All cabinet interiors built to customer specification.



## VANDAL RESISTANT:

Tri-Head locks as standard

(*other locks on request*)

## SAFETY FEATURES:

Flush fitting doors

Radiused corners

Ventilated cabinet

Cabinet removable from plinth on site

Earth strap fitted between cabinet and door

Kiosk shell manufactured from non-combustible materials

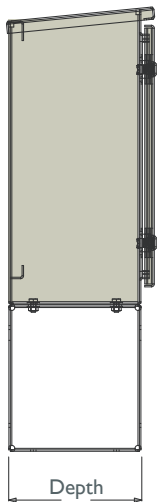
*made in Ireland*

*supporting Irish jobs and local communities*

# PILLARS & CABINETS

range of sheet steel column pillars and cabinets

041-9832591 | info@ipl.ie | www.iplgroup.com



## STANDARD PILLARS:

Three standard sizes available (*other sizes on request*)

Manufactured in 3mm steel (*5mm on request*)

Hot-Dipped galvanised

Powder Coated Green as standard to BS 4800 14C39

Cabinet doors fitted with double Tri-Head locks

WBP 18mm plywood backboard fitted

(*fully removable when required through the door*)

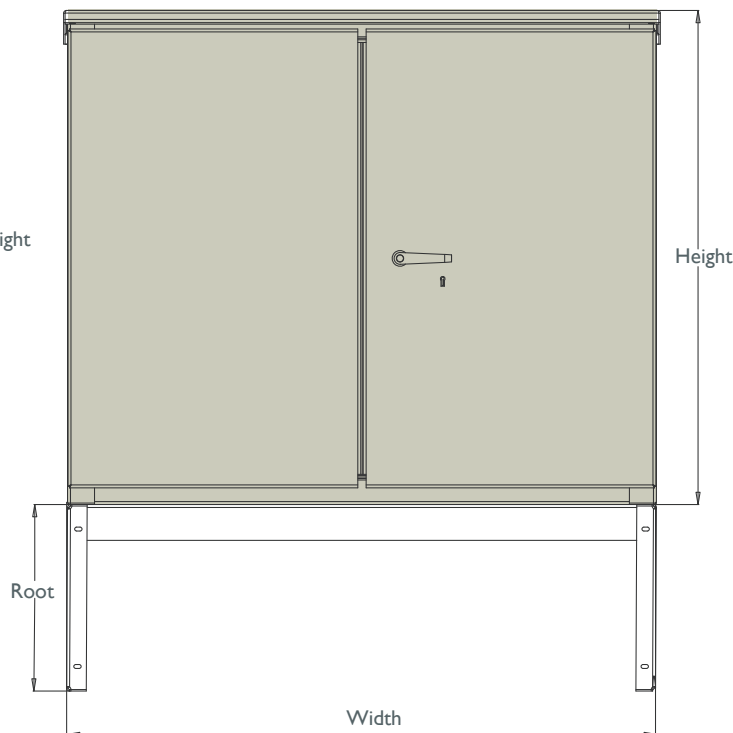
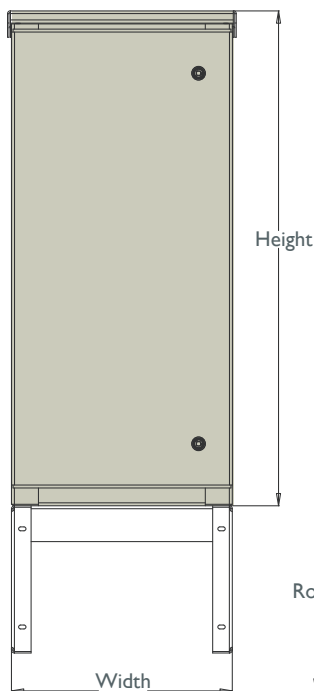
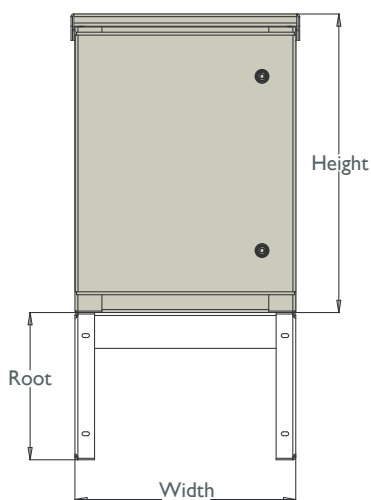
Recessed 'hidden' vents & hinges

Earth Strap fitted to door and frame

All cabinet interiors built to customer specification

Door seals rated to IP65

Insulation Thermal Transmittance rating of 1.5W/m<sup>2</sup>K



MADE IN IRELAND

## CABINET SPECIFICATIONS

Width (cabinet size):	450mm	700mm	1200mm
Height (above ground):	600mm	1020mm	1200mm
Depth (external size):	300mm	350mm	400mm
Root (below ground):	300mm	300mm	300mm
Number of doors:	1 No.	1 No.	2 No.
Backboard (internal 'fitting' size):	400x480mm	600x920mm	1100x1100mm
Depth (internal 'working' size):	265mm	315mm	365mm

